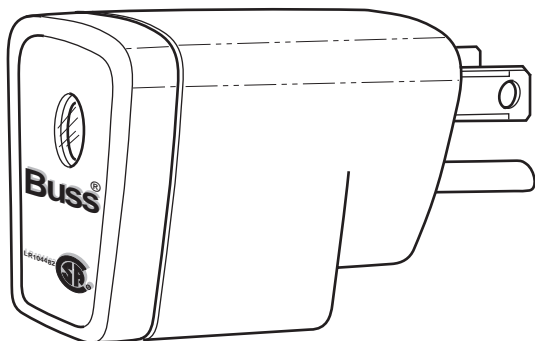


# Sentry

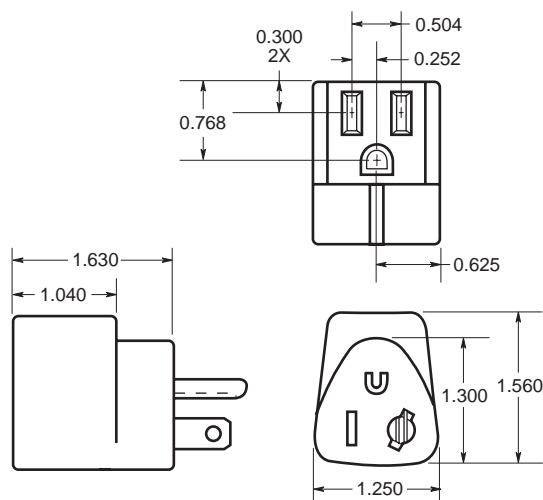
SEN

## Surge Protector with Replaceable Fuses



CATALOG SYMBOL: SEN  
 TRANSIENT VOLTAGE SPIKE PROTECTOR  
 RATED VOLTAGE: 125 VOLTS AC  
 SURGE DISSIPATION: 65 JOULES  
 PEAK SURGE: 6,000 VOLTS  
 MAXIMUM SURGE: 4,500 VOLTS  
 RESPONSE TIME: 1 NANOSECOND  
 CLAMPING VOLTAGE: 395 VOLTS  
 AGENCY APPROVAL: CSA CERTIFIED, LR104482  
 For use with Buss ECF-5, 125 VAC, 5 Amp Fuses.  
**WARNING: FOR INDOOR USE ONLY.**

### Dimensional Data

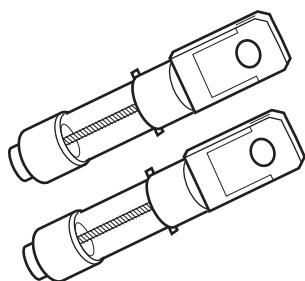


- Dual protection against voltage surges and short-circuits.
- Compact size - easy to carry.
- Indicator light - glows to show that Sentry is ready.
- Compact design provides wall-hugging connection.
- Replaceable fuses.
- Sentry can be used with all household appliances and electronics up to 4 Amps. Including Lap-top Computers, TVs, VCRs, telephones, answering machines, stereos, and similar devices.

**NOTE: Sentry is NOT a lightning arrestor and will not provide protection against direct or nearby lightning strikes.**

## Sentry Replacement Fuses

ECF-5



CATALOG SYMBOL: ECF-5  
 REPLACEMENT FUSES  
 VOLTAGE RATING: 125 VAC  
 INTERRUPTING RATING: 10,000 AIR  
 AGENCY APPROVALS: U.L. LISTED

### Electrical Circuit Diagram

